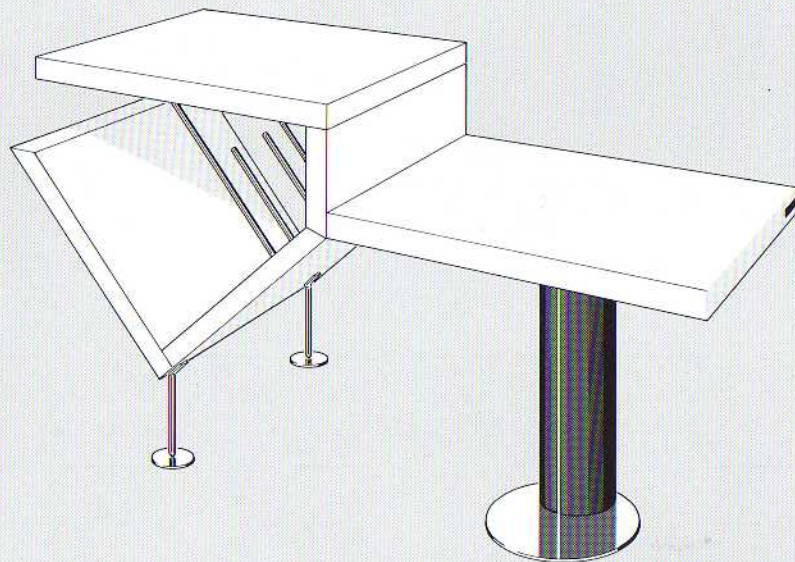


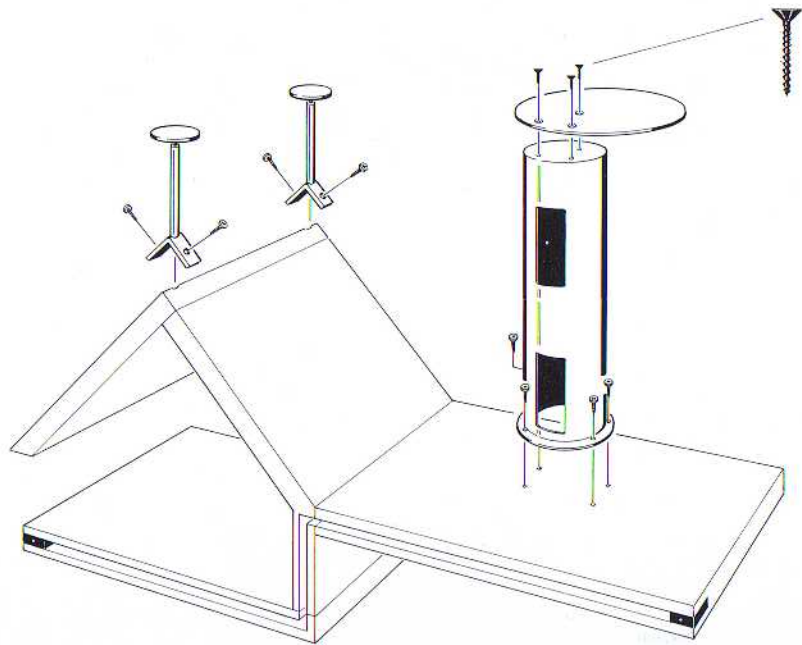
Attyca 1

This manual was scanned by
and available FREE at www.iconic-AV.co.uk

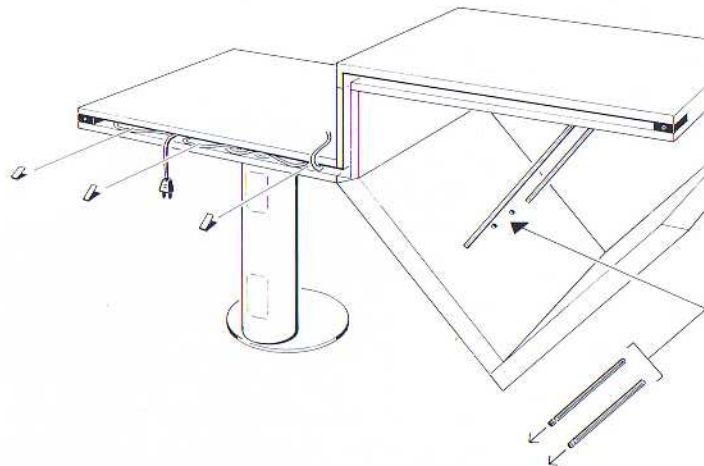
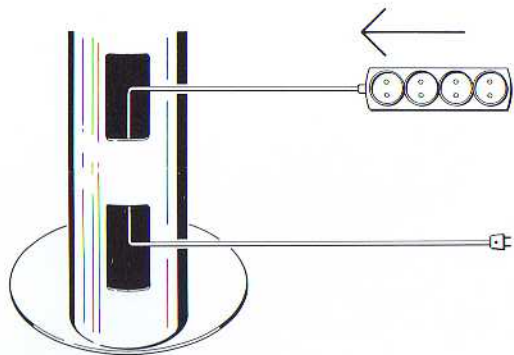
Bang & Olufsen



This manual was scanned by
and available FREE at www.lconic-AV.co.uk



This manual was scanned by
and available FREE at www.Iconic-AV.co.uk



This manual was scanned by
and available FREE at www.iconic-AV.co.uk