

BANG & OLUFSEN

BEOLAB 2000

This manual was scanned by  
and available FREE at [www.lconic-AV.co.uk](http://www.lconic-AV.co.uk)



**CAUTION**  
RISK OF ELECTRIC SHOCK  
DO NOT OPEN



**CAUTION: To reduce the risk of electric shock, do not remove cover (or back).**

**No User-serviceable parts inside. Refer servicing to qualified service personnel.**

**WARNING:** To prevent fire or electric shock, do not expose this appliance to rain or moisture.



This symbol indicates that a dangerous voltage constituting a risk of electric shock is present within this unit.



This symbol indicates that there are important operating and maintenance instructions in the literature accompanying this unit.

**For the US-market only!**

**NOTE:** This equipment has been tested and found to comply with the limits for a class B digital device, pursuant to part 15 of the FCC Rules. These limits are designed to provide reasonable protection against harmful interference in a residential installation.

This equipment generates, uses and can radiate radio frequency energy and, if not installed and used in accordance with the instructions, may cause harmful interference to radio communications. However, there is no guarantee that interference will not occur in a particular installation. If this equipment does cause harmful interference to radio or television reception, which can be determined by turning the equipment off and on, the user is encouraged to try to correct the interference by one or more of the following measures:

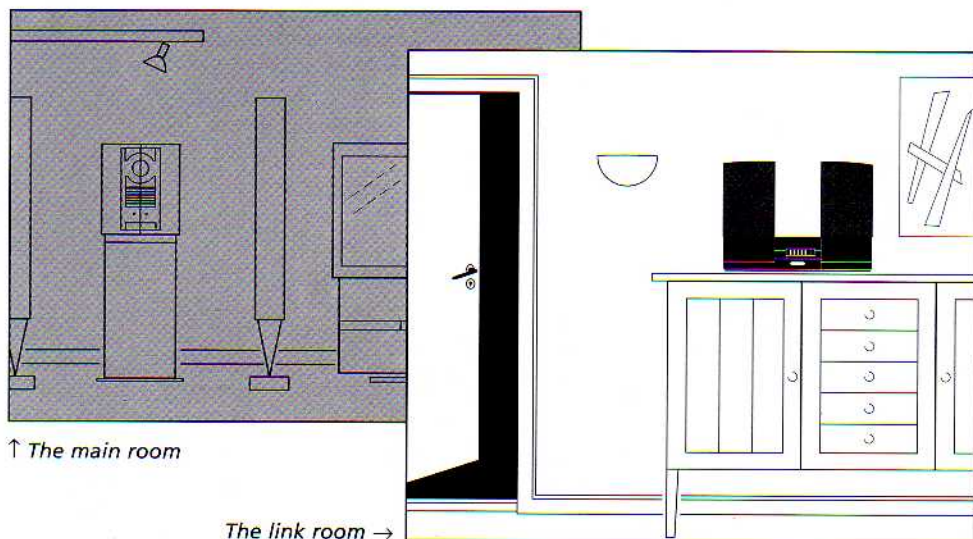
- Reorient or relocate the receiving antenna.
- Increase the separation between the equipment and receiver.
- Connect the equipment into an outlet on a circuit different from that to which the receiver is connected.
- Consult the dealer or an experienced radio/TV technician for help.

**This manual was scanned by  
and available FREE at [www.iconic-AV.co.uk](http://www.iconic-AV.co.uk)**

**For the Canadian market only:**

This class B digital apparatus meets all requirements of the Canadian Interference-Causing Equipment Regulations.

Note: Building and electrical codes may vary from locality to locality. Make sure that the installation is in compliance with applicable codes. Bang & Olufsen shall not be legally responsible for injury or damage caused by improper installation.



This guide describes how to install your BeoLab 2000 in a BeoLink (ML) distribution system.

If you have never carried out cable installation before, we suggest you leave it to your Bang & Olufsen dealer. We recommend that you follow the instructions in this guide carefully.

The User's guide, which is also supplied with the BeoLab 2000, describes how to operate the system once it has been installed.

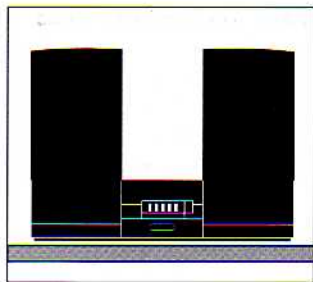
The BeoLink distribution system enables you to control your main system and to listen to it in the link room. Your link room must be connected to the main room via a Master Link cable. To join the Master Link cables from the main system and from the BeoLab 2000 a Master Link junction box is required. The accessories can be purchased at your Bang & Olufsen dealer.

*The main room* is the room in which you have placed your audio system and/or video system (the main system). *The link room* is where you are about to set up your BeoLab 2000.

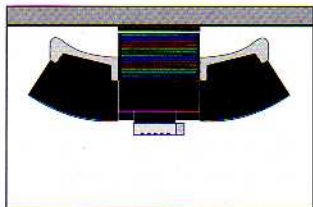
When you set up your BeoLab 2000, we recommend the following sequence:

- 1 Switch off your Bang & Olufsen system and disconnect it from the mains.
- 2 Make the installation as described in this guide.
- 3 Connect the entire system to the mains.

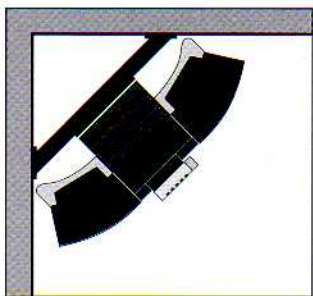
This manual was scanned by  
and available FREE at [www.iconic-AV.co.uk](http://www.iconic-AV.co.uk)



The BeoLab 2000 standing on a level surface, e.g. a shelf or a table (for optimum sound reproduction, place the BeoLab 2000 against a wall).



The BeoLab 2000 hanging on a wall (top view).

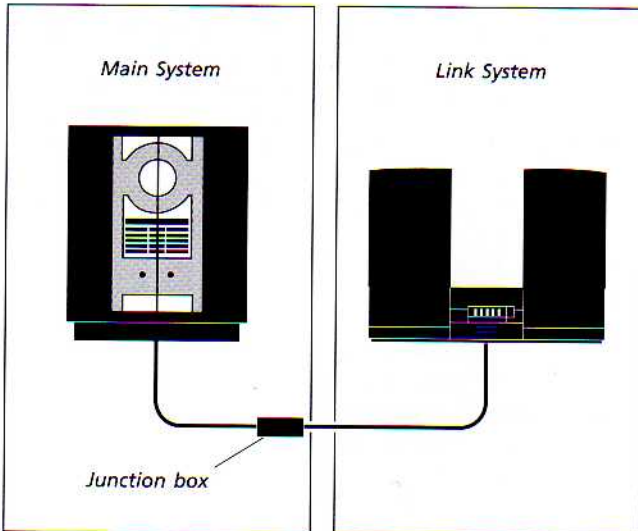
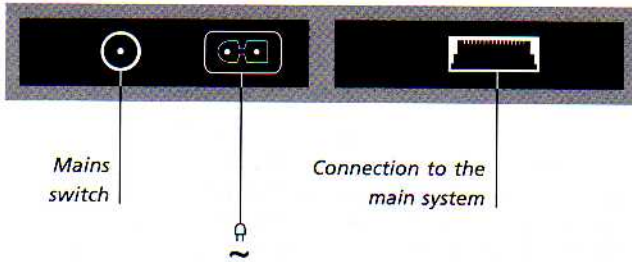


The BeoLab 2000 hanging in a corner (top view).

Before you start, make sure that you have all the necessary cables, junction boxes, screws, wall plugs, etc. If in doubt, please contact your Bang & Olufsen dealer.

- Do not connect any units in your system to the mains, until after you have made the connections.
  - For safety reasons, the mains cord *must* be secured to the BeoLab 2000 by the small screw and clamp provided.
  - The BeoLab 2000 is designed for use in dry environments only, and for use within a temperature range of 10 – 40° C (50 – 105° F).
  - Allow a space of approx. 5 cm (2") at the sides of the speakers for adequate ventilation.
  - To support the weight of the BeoLab 2000 always use the correct size and type of screws and wall plugs (depending on the material and the construction of the wall). If in doubt, consult your Bang & Olufsen dealer.
  - Light partition walls are often constructed of gypsum panels – known as drywall or wall board – secured to vertical studs. Gypsum is not a satisfactory material to support the weight of the BeoLab 2000!
- If you wish to hang your BeoLab 2000 on a gypsum wall, be sure to use the correct size and type of screws.

- If you hang your BeoLab 2000 on the wall, we *suggest* that you remove the tiny 'rubber feet' from the bottom of the BeoLab 2000. The feet are for protection of your furniture.
- Avoid placing the BeoLab 2000 in direct sunlight or direct artificial light (e.g. a spotlight), or near objects generating electrical noise (e.g. dimmers), as this may reduce the sensitivity of the remote control receiver.
- We recommend that you place the BeoLab 2000 in a suitable height to facilitate close-up operation.

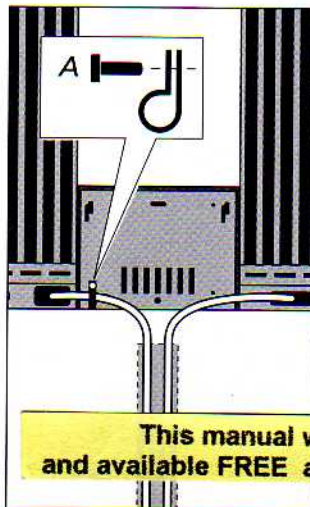


**Make the connections as follows:**

- *In the main room:* Connect the Master Link cable to the Master Link socket on your main system, and run the cable to the junction box.
  - *In the link room:* Connect the Master Link cable to its socket on the BeoLab 2000, and run the cable to the junction box.
  - Inside the junction box, join the cables as explained in the folder enclosed with the box.
  - Plug the mains cord into its socket on the BeoLab 2000 and secure it with the clamp and screw (A).
- Run both cables away from the BeoLab 2000 as shown (to relieve the strain on the Master Link cable run it around the small peg on the wall bracket).

If you hang the BeoLab 2000 on the wall, you may conceal and run both cables in a cable cover (optional) to the floor.

**NOTE!** The cables should be handled with care. When running the cables, avoid bending them too sharply, and be careful not to twist them. Avoid subjecting the cables to pressure or impact.

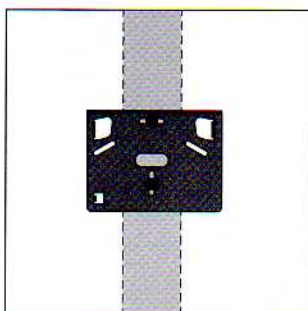
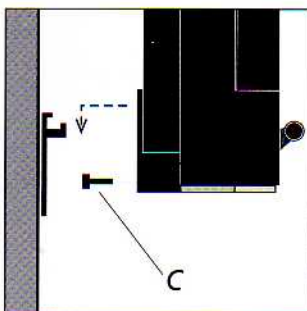
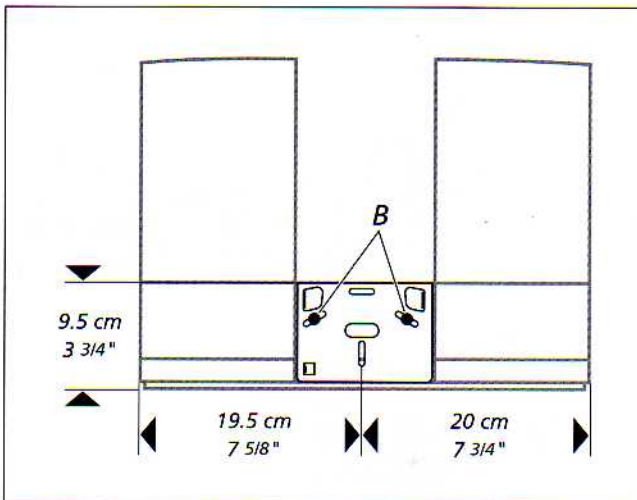


This manual was scanned by  
and available FREE at [www.Iconic-AV.co.uk](http://www.Iconic-AV.co.uk)

### Mounting the BeoLab 2000 on a solid wall:

- Mark and drill the holes in the wall, using the wall bracket as a template.
  - Fasten the wall bracket to the wall. Level the bracket before tightening the screws (B).
  - Insert the adjustment screw provided (C) into the rear part of the BeoLab 2000.
  - Hook the BeoLab 2000 onto the wall bracket by inserting the two protruding 'hooks' on the bracket into the corresponding holes in the rear part of the BeoLab 2000.
- Then pull the BeoLab 2000 a little to the right, so that the hooks lock into the BeoLab 2000.
- Adjust the inclination of the BeoLab 2000 by turning the screw (C).

To disengage the BeoLab 2000 just lift it slightly at the bottom, pull it towards the left, and then lift it off.

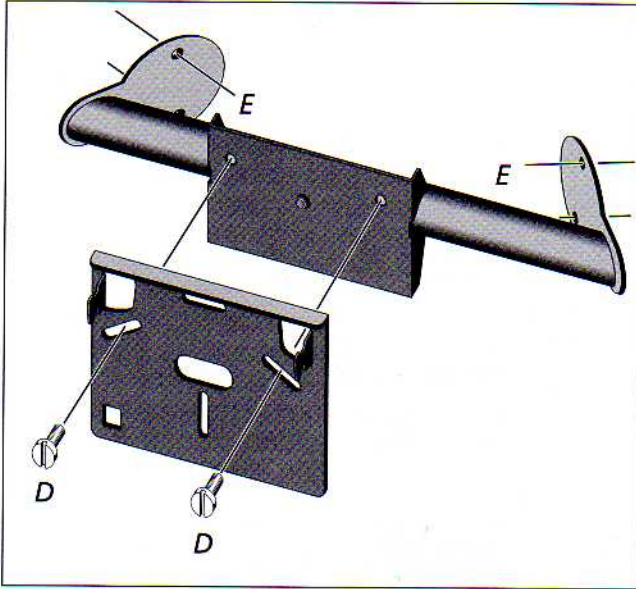


### Mounting the BeoLab 2000 on a light partition wall:

If you wish to hang your BeoLab 2000 on a gypsum wall, you must use two mounting screws (must be lag screws), which should be screwed securely into a vertical wall stud.



This manual was scanned by  
and available FREE at [www.iconic-AV.co.uk](http://www.iconic-AV.co.uk)



### Mounting the BeoLab 2000 in a corner:

- Join the wall bracket and the bracket for corner mounting as shown. Use the two screws provided (D).
- Mark and drill the holes in the wall, using the assembled bracket as a template.
- Fasten the assembled wall bracket to the wall, using four screws and wall plugs (E).
- Level the wall bracket on the bracket for corner mounting, and then tighten the two screws (D).

Insert the adjustment screw (C), and proceed as described on the previous page.



Stand-by indicator

When you have finished setting-up your BeoLab 2000, connect it to the mains using the mains lead provided, and switch on the power for the entire system.

The stand-by indicator on the front of the BeoLab 2000 lights up in red – if not, press the mains switch on the rear of the BeoLab 2000.

Normally, the BeoLab 2000 will now be ready for use.

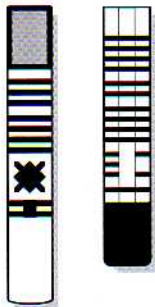
However, in special product setups, you may need to pre-program the BeoLab 2000 (Options):

**Option 0:** To be used if you want to disable remote control operation of the BeoLab 2000 (to re-enable remote control, select one of the other options).

**Option 4:** To be used if you install the BeoLab 2000 in the same room as your main system (e.g. in a large L-shaped living room with two separate listening positions).

**Option 5:** To be used if you install a Bang & Olufsen TV set in the link room as well.

**Option 6:** To be used in a set-up with the main system in one room and the BeoLab 2000 in another, as described in this guide (this is the factory setting).



#### Using a Beo4:

- Hold the • button while pressing LIST. When the Beo4 display reads OPTION?, press GO.
- Press LIST twice to display L.OPT and then key in the appropriate number (0, 4, 5 or 6).

#### Using a Beolink 1000:

- Press LINK, the appropriate number (0, 4, 5 or 6), and then STORE.

*The preprogramming is done with a Bang & Olufsen remote control. It must be carried out with both the main- and the link system switched to stand-by!*



