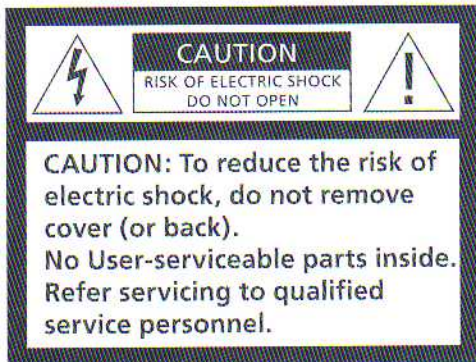


Guide

This manual was scanned by
and available FREE at www.Iconic-AV.co.uk

BANG & OLUFSEN





WARNING: To prevent fire or electric shock, do not expose this appliance to rain or moisture. Do not expose this equipment to dripping or splashing and ensure that no objects filled with liquids, such as vases, are placed on the equipment.

To completely disconnect this equipment from the AC Mains, disconnect the power supply cord plug from the AC receptacle.



This symbol indicates that a dangerous voltage constituting a risk of electric shock is present within this unit.



This symbol indicates that there are important operating and maintenance instructions in the literature accompanying this unit.

Cautions!

- Make sure that the loudspeaker is placed and connected in accordance with the instructions in this Guide.
- Do not attempt to open the loudspeaker. Leave such operations to qualified service personnel!
- The loudspeaker is designed for indoor use in dry, domestic environments only, and for use within a temperature range of 10–40° C (50–105° F).
- In order not to block the sound emitting from the rear bass reflex ports and the bass units on the bottom, leave a minimum of 6 cm (2½") free space behind and below the loudspeaker.
- Always place the loudspeaker in a horizontal position, and do not place any items on it.
- *Prolonged listening at high volume levels may cause hearing damage!*

When you have finished setting up the loudspeaker as described on the following pages, connect the entire system to the mains.

Loudspeaker protection

The loudspeaker is equipped with a thermal protection system which prevents damage from overheating. If an error occurs – or the speaker units become overheated – the system automatically switches the loudspeaker to standby.

To restore the sound:

- > Disconnect the loudspeaker from the mains.
- > Allow the system time to reset or cool down (approximately 3–5 minutes).
- > Reconnect the loudspeaker to the mains.

Should the problem persist, contact your Bang & Olufsen retailer.

Cleaning the loudspeaker

Clean dusty surfaces using a dry, soft cloth. If necessary, remove grease stains or persistent dirt with a lint-free, firmly wrung cloth, dipped in a solution of water containing only a few drops of mild detergent, such as washing-up liquid.

The loudspeaker front grill may be cleaned with a vacuum cleaner with a soft brush nozzle, and set to the lowest level.

Never use alcohol or other solvents to clean any parts of the loudspeaker!

Switching on and off

When you switch on your Bang & Olufsen system, the loudspeaker switches on simultaneously, and when you switch the system off again the loudspeaker also switches off.



Caution: Handle the loudspeaker front grill with great care. Dents and scratches are not covered by the guarantee!

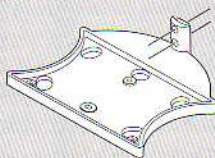
Set up the loudspeaker

We recommend that you follow this procedure:

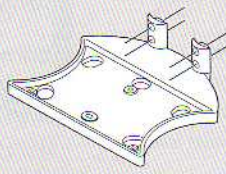
- Disconnect your Bang & Olufsen system from the mains.
- Mount the loudspeaker to the Bang & Olufsen stand or wall bracket as explained on the next page.
- Connect the loudspeaker as explained in 'Cable connections' (pp. 6-7).
- Set the POSITION switch to the correct setting. This is explained in 'Adapt the loudspeaker to your room' (pp. 8-9).
- Connect the entire system to the mains again.

In order not to dent or scratch the loudspeaker front grill, we recommend that you lift the loudspeaker by holding on to the two bass units on the bottom. Do not support the loudspeaker holding the loudspeaker front grill!

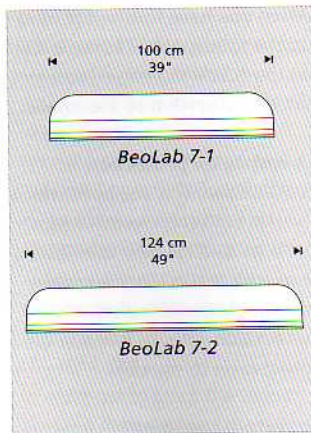
'Type 1 bracket'



'Type 2 bracket'



BeoLab 7 brackets: *The loudspeaker must be fastened to one of the brackets shown here, and on a suitable Bang & Olufsen stand or wall bracket.*

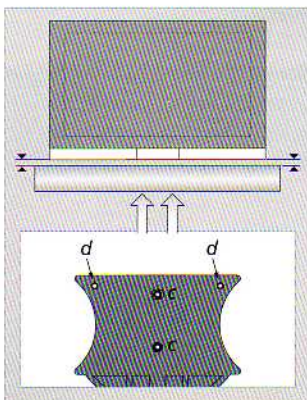
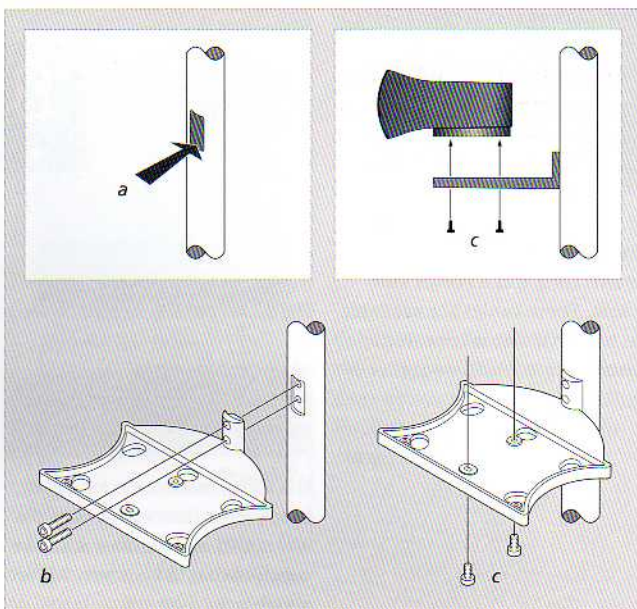


BeoLab 7-1: *Always use the 'type 1 bracket'.*

BeoLab 7-2: *Use the 'type 2 bracket' when the loudspeaker will be fastened to one of the 'double-column' Bang & Olufsen stands. However, use the 'type 1 bracket' if the loudspeaker will be fastened to a wall bracket – for example below a BeoVision 4 screen.*

Here is shown how to fasten the loudspeaker with a 'type 1 bracket' to a Bang & Olufsen 'single-column' stand (or wall bracket). Use the same procedure if you wish to fasten the loudspeaker to a Bang & Olufsen 'double-column' Stand – with a 'type 2 bracket'.

- a Remove the small cover (if any) on the stand. Press the cover as shown, and it will come loose.
- b Fasten the bracket to the stand or wall bracket. Use the two longest screws (M5 × 25 mm) – four screws for a 'type 2 bracket'.
- c Fasten the loudspeaker to the bracket. Use the two shortest screws (M5 × 8 mm). However, do not fully tighten the screws before you have made the adjustments mentioned below (d).



Adjustments: First, make sure that the television is adjusted to a level position on its stand or wall bracket! Then use the two screws (d) to adjust the loudspeaker so that it is parallel to the lower edge of the television. Align the loudspeaker front with the television and tighten the two screws (c).

**This manual was scanned by
and available FREE at www.lconic-AV.co.uk**

NOTE! BeoVision 7 and its accessories are not available on all markets.

