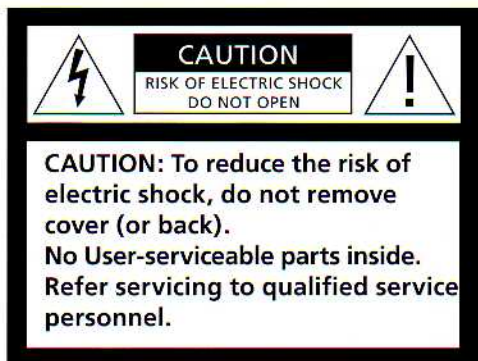


Guide

This manual was scanned by
and available FREE at www.Iconic-AV.co.uk

BANG & OLUFSEN





WARNING: To reduce the risk of fire or electric shock, do not expose this appliance to rain or moisture. Do not expose this equipment to dripping or splashing and ensure that no objects filled with liquids, such as vases, are placed on the equipment.

To completely disconnect this equipment from the AC Mains, disconnect the power supply cord plug from the AC receptacle.



The lightning flash with arrowhead symbol within an equilateral triangle, is intended to alert the user to the presence of un-insulated "dangerous voltage" within the product's enclosure that may be of sufficient magnitude to constitute a risk of electric shock to persons.



The exclamation point within an equilateral triangle is intended to alert the user to the presence of important operating and maintenance (servicing) instructions in the literature accompanying the product.

Cautions!

- Make sure that the loudspeaker is placed and connected in accordance with the instructions in this Guide. To prevent injury, use Bang & Olufsen approved stands and wall brackets only!
- The loudspeaker can only be switched off completely by disconnecting it from the wall socket.
- Do not attempt to open the loudspeaker. Leave such operations to qualified service personnel!
- The loudspeaker is designed for indoor use in dry, domestic environments only, and for use within a temperature range of 10–40° C (50–105° F).
- Do not place any items on the loudspeaker.
- Do not lift the loudspeaker by gripping the acoustic lens.
- *Prolonged listening at high volume levels may cause hearing damage!*

**This manual was scanned by
and available FREE at www.iconic-AV.co.uk**



Acoustic Lens Technology –
manufactured under license from
Sausalito Audio Works.

When you have finished setting up the loudspeaker as described on the following pages, connect the entire system to the mains.

Loudspeaker protection

The loudspeaker is equipped with a thermal protection system which prevents damage from overheating. If an error occurs – or the speaker units become overheated – the system automatically switches the loudspeaker to standby.

To restore the sound:

- > Disconnect the loudspeaker from the mains.
- > Allow the system time to reset or cool down (approximately 3–5 minutes).
- > Reconnect the loudspeaker to the mains.

Should the problem persist, contact your Bang & Olufsen retailer.

Cleaning the loudspeaker

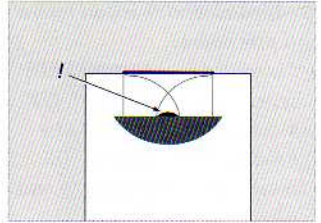
Clean dusty surfaces using a dry, soft cloth. If necessary, remove grease stains or persistent dirt with a lint-free, firmly wrung cloth, dipped in a solution of water containing only a few drops of mild detergent, such as washing-up liquid.

Never use a vacuum cleaner to clean the exposed speaker membrane in the acoustic lens. However, the loudspeaker front grill may be cleaned with a vacuum cleaner with a soft brush nozzle, and set to the lowest level.

Never use alcohol or other solvents to clean any parts of the loudspeaker!

Switching on and off

When you switch on your Bang & Olufsen system, the loudspeaker switches on simultaneously, and when you switch the system off again the loudspeaker also switches to standby.



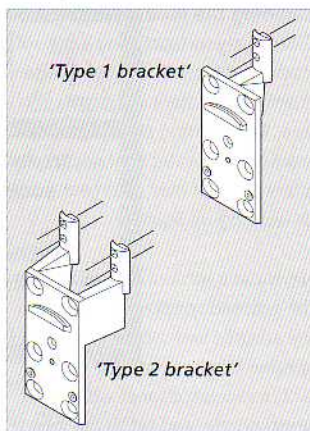
Caution: *Do not touch the exposed speaker membrane in the acoustic lens!*

Handle the loudspeaker front grill with great care. Dents and scratches are not covered by the guarantee!

Set up the loudspeaker

We recommend that you follow this procedure:

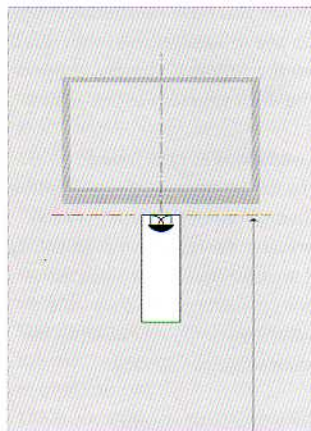
- Disconnect your Bang & Olufsen system from the mains.
- Mount the loudspeaker to the Bang & Olufsen stand or wall bracket as explained on the next page.
- Connect the loudspeaker as explained in 'Cable connections' (pp. 6–7).
- Set the POSITION switch to the correct setting. This is explained in 'Adapt the loudspeaker to your room' (pp. 8–9).
- Connect the entire system to the mains again.



BeoLab 7-4 brackets: The loudspeaker must be fastened to one of the brackets shown here, and on a suitable Bang & Olufsen stand or wall bracket.

Use the 'type 1 bracket' when the loudspeaker will be fastened to one of the 'single-column' Bang & Olufsen stands or wall brackets.

Use the 'type 2 bracket' when the loudspeaker will be fastened to one of the 'double-column' Bang & Olufsen stands.

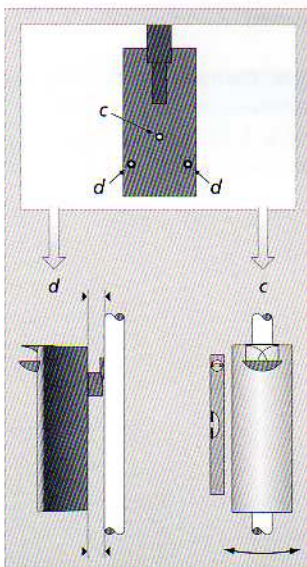
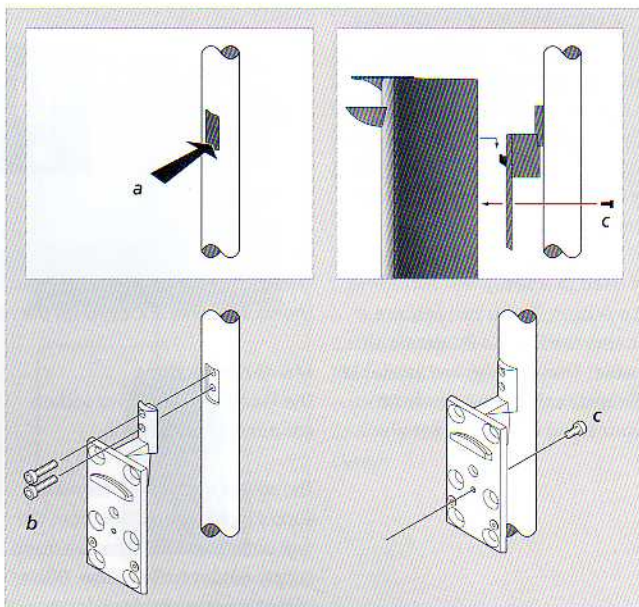


Placement: The loudspeaker must be placed centred below the screen. Always place the loudspeaker in an upright position!

If the loudspeaker is mounted on the wall, for example in a BeoVision 4 setup, we recommend that you place the loudspeaker 5–15 cm (~ 2–6") below the screen, and no more than 98 cm (~ 35") above the floor.

Here is shown how to fasten the loudspeaker with a 'type 1 bracket' to a Bang & Olufsen 'single-column' stand (or wall bracket). Use the same procedure if you wish to fasten the loudspeaker to a Bang & Olufsen 'double-column' Stand – with a 'type 2 bracket'.

- a Remove the small cover (if any) on the stand. Press the cover as shown, and it will come loose.
- b Fasten the bracket to the stand or wall bracket. Use the two longest screws (M5 × 25 mm) – four screws for a 'type 2 bracket'.
- c Fasten the loudspeaker to the bracket. Use the short screw (M5 × 8 mm). However, do not fully tighten it until you have made the adjustments mentioned to the right (d).



Adjustments: Use the two screws (d) to align the loudspeaker with the stand or wall bracket. Then position the loudspeaker so that the side is vertical, and finally tighten the screw (c).

