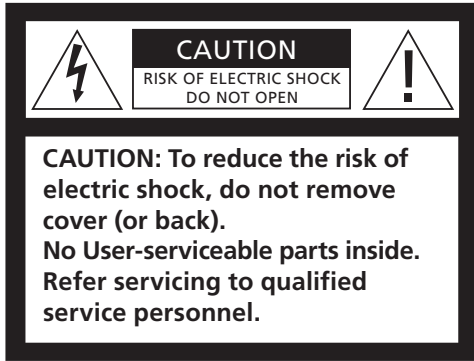


BeoLab 4000

Guide



WARNING: To reduce the risk of fire or electric shock, do not expose this appliance to rain or moisture. Do not expose this equipment to dripping or splashing and ensure that no objects filled with liquids, such as vases, are placed on the equipment.

To completely disconnect this equipment from the AC Mains, disconnect the mains plug from the wall socket. The disconnect device shall remain readily operable.



The lightning flash with arrowhead symbol within an equilateral triangle, is intended to alert the user to the presence of un-insulated “dangerous voltage” within the product’s enclosure that may be of sufficient magnitude to constitute a risk of electric shock to persons.



The exclamation point within an equilateral triangle is intended to alert the user to the presence of important operating and maintenance (servicing) instructions in the literature accompanying the product.

When you have finished setting up the loudspeakers as described on the following pages, connect the entire system to the mains supply. The indicators light up in red, indicating that the loudspeakers are in standby, ready to be used. The loudspeakers are designed to be left in this stand-by mode when not in use.

Cleaning the loudspeaker

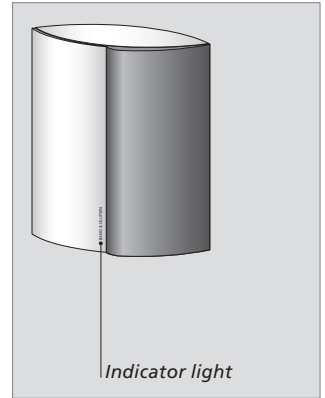
Clean dusty surfaces using a dry, soft cloth. If necessary, remove grease stains or persistent dirt with a soft, lint-free cloth which you have dipped in lukewarm water and wrung firmly.

You can clean the front cloth with a vacuum cleaner with a brush nozzle, and set to the lowest level. Clean the cooling fins on the rear using a soft brush or a vacuum cleaner.

Switching on and off

When you switch on your system, the loudspeakers switch on simultaneously, and the indicator lights turn green. When you switch the system off again the loudspeakers also switch to standby.

If the loudspeakers are connected to a non-Bang & Olufsen system they switch on when a signal is received from the system. They switch off a few minutes after the signal has disappeared.



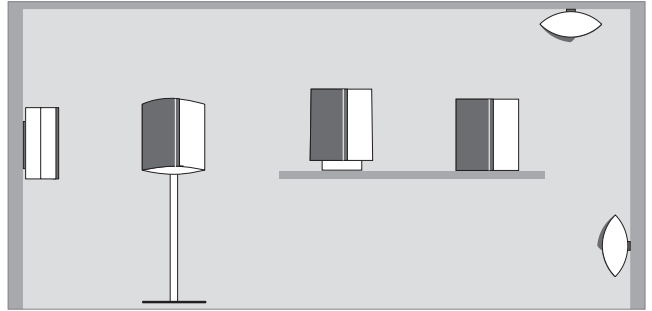
Never use alcohol or other solvents to clean any parts of the loudspeaker!

NOTE! Prolonged listening at high volume levels may cause hearing damage.

Set up the loudspeakers

We recommend that you follow this procedure:

- Disconnect your system from the mains supply.
- Place the loudspeakers according to the guidelines on these two pages. If you wish to hang the loudspeakers on the wall, refer to 'Wall bracket' (pp. 8–9). If you have chosen one of the optional accessories, refer to the Guide enclosed with the accessory.
- Connect the loudspeakers and set the LINE–L–R switch on each loudspeaker as explained in 'Cable connections' (pp. 6–7).
- Connect the entire system to the mains again.



The loudspeakers must be placed standing upright on its base or fastened to the wall or ceiling – or fastened to one of the optional accessories.

Cautions

- Make sure that the loudspeakers are placed and connected in accordance with the instructions in this Guide. To prevent injury, use Bang & Olufsen approved stands and wall brackets only!
- Do not attempt to open the loudspeakers. Leave such operations to qualified service personnel!
- The loudspeakers are designed for indoor use in dry, domestic environments only, and for use within a temperature range of 10–40° C (50–105° F).
- In order not to impede ventilation always leave at least 15 mm (0.5") space above the loudspeakers.
- Do not place any items on top of the loudspeakers.
- Do not place the loudspeakers enclosed, for example, in a small bookcase.
- When the loudspeakers are placed in an upright position, make sure that the indicator light is at the base.
- When you place the loudspeakers try to 'aim' the front cloth towards your preferred listening position.

The wall bracket

The wall brackets can be used to fasten the loudspeakers in either a vertical or horizontal position on a wall. They may also be used to fasten the loudspeakers to the ceiling.

To support the weight of the loudspeaker, always use the correct size and type of screws and wall anchors – taking into account the construction and condition of the wall or ceiling.

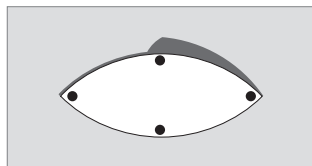
Use two screws and wall anchors each with a minimum load rating of 10 kg (22 lbs).

Refer to 'Wall bracket' (pp. 8–9) for further information.

Special notice about light partition walls and gypsum ceilings

Light partition walls and ceilings are often constructed of gypsum panels – known as drywall or wall board – secured to studs. Gypsum is not a satisfactory material to support the weight of the loudspeaker. If you intend to hang the loudspeaker on such a wall or ceiling, the wall bracket must be fastened to a stud.

Use screws as shown on page 9. The screws (Ø 5 mm – 0.2") must penetrate the gypsum and be screwed a minimum of 25 mm (1") into a stud.

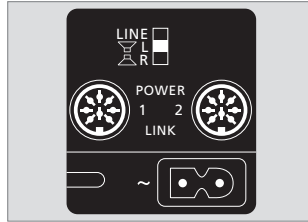


Rubber pads: *If you place the loudspeakers standing on a level surface, we recommend that you attach the enclosed rubber pads to the bottom plate of each loudspeaker – in order to protect both your furniture and the loudspeakers from being scratched.*

Connections

The loudspeakers can be used with Bang & Olufsen audio, video and link systems. They may also be connected to non-Bang & Olufsen systems.

For specific information about the sockets on your system, refer to the Guide enclosed with your system.



The connection panel is located on the rear of the loudspeaker.

Connection panel

LINE–L–R switch

This switch has three settings. Set the switch to L or R when connecting the loudspeakers to a Bang & Olufsen system. Set the switch to LINE when connecting the loudspeakers to a non-Bang & Olufsen system.

POWER LINK 1–2 sockets

These socket are used for connection to a Bang & Olufsen system. However, if the switch marked LINE–L–R is set to LINE, you may use one of the sockets to connect the loudspeaker to a non-Bang & Olufsen system.

~

Socket for connection to the mains supply.

Connection to Bang & Olufsen systems

Use a Power Link cable to connect each loudspeaker to your system.

Set the switch to L and R (the left and right sound channel), respectively.

Connection to non-Bang & Olufsen systems

Use a special adapter with an ordinary phono/RCA plug in one end, and a DIN-plug in the other ('Cable for line signal' – optional accessory, available from your Bang & Olufsen retailer).

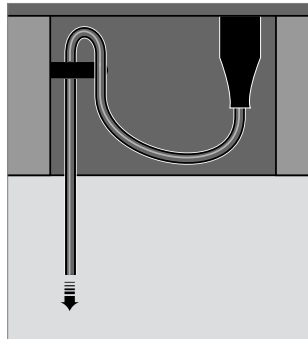
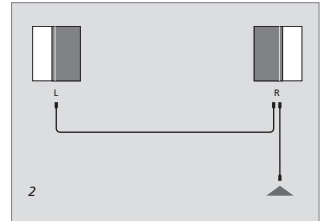
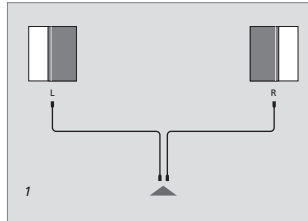
Set the switch to LINE.

Power Link connections: *These connections carry both the right and left sound signals. Therefore, you can:*

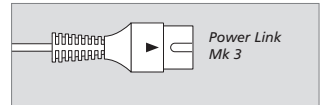
1 Run a Power Link cable from your Bang & Olufsen system directly to each loudspeaker.

Or

2 Run a Power Link cable from your Bang & Olufsen system to the first loudspeaker, and then run another Power Link cable to the next loudspeaker. This will often help to minimise cable clutter.



For safety reasons fasten the mains lead behind the small peg, before running it out from the socket compartment.



Power Link cables: *The cables must be of the type which are marked with a triangle on the plug. Do not use any of the old type of Power Link cables, as this will cause noise, and thus not give optimum sound quality!*

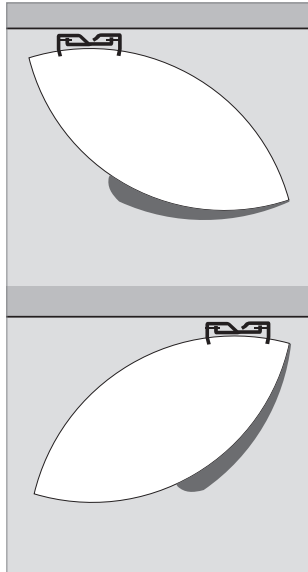
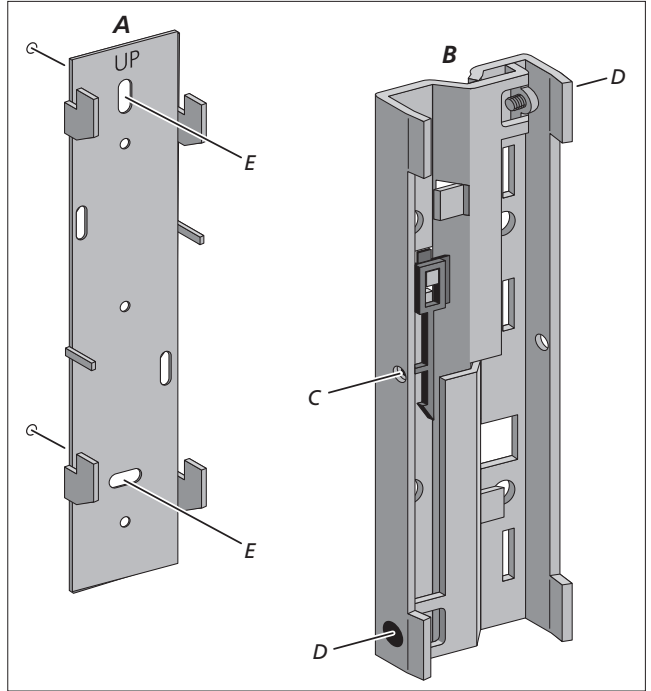
Mains cord: *The supplied mains cord and plug are specially designed for the product. If you change the plug or damage the mains cord, you must buy another from your Bang & Olufsen retailer!*

Wall bracket

The wall bracket consists of two main parts. The bracket (A) must be secured to the wall, and the bracket (B) to the rear grille of the loudspeaker:

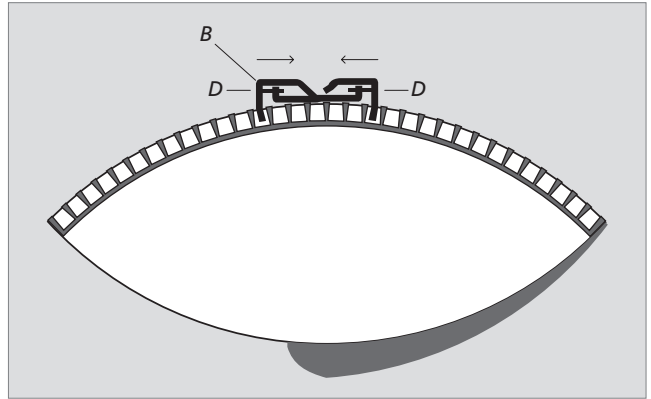
- Separate the two parts (A – B). If necessary, loosen the two screws (D).
- Fasten the bracket (B) to the loudspeaker, in the preferred position. *Tighten the two screws (D) securely!*
- Hold up the loudspeaker where you want to place it on the wall, and mark up the outline of the bracket. Use the bracket (A) as a template to mark up where to drill the holes.
- Fasten the bracket (A) to the wall through the holes (E), and hang the loudspeaker onto the four hooks.

The lock will engage and thus secure the two parts. You can release the lock with a small screwdriver through the hole (C).



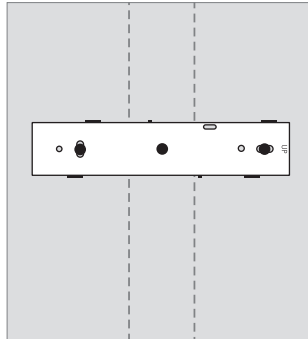
The placement of the bracket on the rear of the loudspeaker determines the angle between the loudspeaker and the wall.

Top-view of the loudspeaker and the bracket (B).

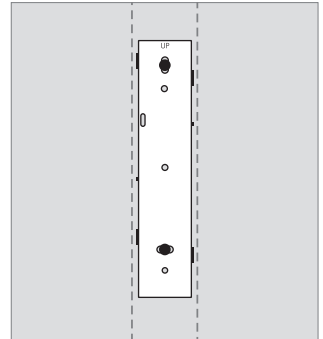


Light partition walls

If you intend to hang the loudspeaker on a gypsum wall or ceiling, the wall bracket must be fastened to a stud.

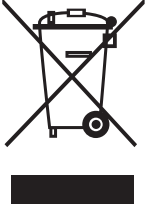


If mounted in a horizontal position, you must use three screws. Two screws of a type for gypsum panels through the holes (E), and one lag screw through the centre hole of the bracket.



If mounted in a vertical position, two screws through the holes (E) will suffice.

Waste Electrical and Electronic Equipment (WEEE) –



Electrical and electronic equipment, parts and batteries marked with this symbol must not be disposed of with normal household wastage; all electrical and electronic equipment, parts and batteries must be collected and disposed of separately.

When disposing of electrical and electronic equipment and batteries by use of the collection systems available in your country, you protect the environment, human health and contribute to the prudent and rational use of natural resources. Collecting electrical and electronic equipment, batteries

and waste prevents the potential contamination of nature with the hazardous substances which may be present in electrical and electronic products and equipment. Your Bang & Olufsen retailer will advise you of the correct way of disposal in your country.

If a product is too small to be marked with the symbol, it will appear in the User Guide, on the Guarantee certificate, or on the packaging.

All Bang & Olufsen products comply with applicable environmental legislation throughout the world.



This product is in conformity with the provisions of the Directives 2004/108/EC and 2006/95/EC.

Technical specifications, features and the use thereof are subject to change without notice!

For the Canadian market only!

This class B digital apparatus meets all requirements of the Canadian Interference-Causing Equipment Regulations.

For the US-market only!

NOTE: This equipment has been tested and found to comply with the limits for a class B digital device, pursuant to part 15 of the FCC Rules. These limits are designed to provide reasonable protection against harmful interference in a residential installation.

This equipment generates, uses and can radiate radio frequency energy and, if not installed and used in accordance with the instructions, may cause harmful interference to radio communications. However, there is no guarantee that interference will not occur in a particular installation. If this equipment does cause harmful interference to radio or television reception, which can be determined by turning the equipment off and on, the user is encouraged to try to correct the interference by one or more of the following measures:

- Reorient or relocate the receiving antenna.
- Increase the separation between the equipment and receiver.
- Connect the equipment into an outlet on a circuit different from that to which the receiver is connected.
- Consult the retailer or an experienced radio/TV technician for help.

