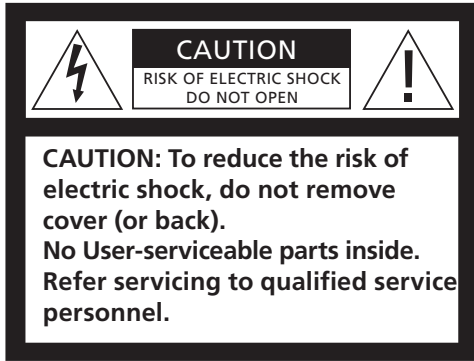


# BeoLab 7-6

Guide



**WARNING:** To reduce the risk of fire or electric shock, do not expose this appliance to rain or moisture. Do not expose this equipment to dripping or splashing and ensure that no objects filled with liquids, such as vases, are placed on the equipment.

To completely disconnect this equipment from the AC Mains, disconnect the mains plug from the wall socket. The disconnect device shall remain readily operable.



The lightning flash with arrowhead symbol within an equilateral triangle, is intended to alert the user to the presence of un-insulated “dangerous voltage” within the product’s enclosure that may be of sufficient magnitude to constitute a risk of electric shock to persons.



The exclamation point within an equilateral triangle is intended to alert the user to the presence of important operating and maintenance (servicing) instructions in the literature accompanying the product.

When you have finished setting up the loudspeaker as described on the following pages, connect the entire system to the mains.

### Loudspeaker protection

The loudspeaker is equipped with a thermal protection system which prevents damage from overheating. If an error occurs – or the speaker units become overheated – the system automatically switches the loudspeaker to standby.

### To restore the sound:

- > Disconnect the loudspeaker from the mains supply.
- > Allow the system time to reset or cool down (approximately 3–5 minutes).
- > Reconnect the loudspeaker to the mains supply.

*Should the problem persist, contact your Bang & Olufsen retailer.*

### To clean the loudspeaker

Clean dusty surfaces using a dry, soft cloth. If necessary, remove grease stains or persistent dirt with a lint-free, firmly wrung cloth, dipped in a solution of water containing only a few drops of mild detergent, such as washing-up liquid.

The loudspeaker front grill may be cleaned with a vacuum cleaner with a soft brush nozzle, and set to the lowest level.

*Never use alcohol or other solvents to clean any parts of the loudspeaker!*

### To switch on and off

When you switch on your Bang & Olufsen system, the loudspeaker switches on simultaneously, and when you switch the system off again the loudspeaker also switches to standby.



**Caution:** *Handle the loudspeaker front grill with great care. Dents and scratches are not covered by the guarantee!*

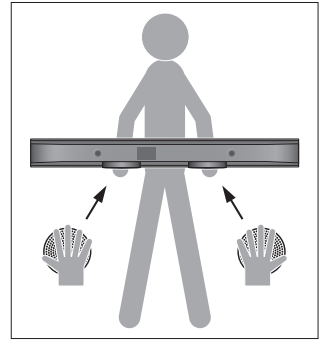
## Set up the loudspeaker

*We recommend that you follow this procedure:*

- Disconnect your Bang & Olufsen system from the mains supply.
- Fasten the loudspeaker as explained on the next page.
- Connect the loudspeaker and set the position switch as explained in 'Cable connections' (pp. 6–7).
- Connect the entire system to the mains again.

### Cautions!

- Make sure that the loudspeaker is placed and connected in accordance with the instructions in this Guide. To prevent injury, use Bang & Olufsen approved stands and wall brackets only!
- The loudspeaker can only be switched off completely by disconnecting it from the wall socket.
- Do not attempt to open the loudspeaker. Leave such operations to qualified service personnel!
- The loudspeaker is designed for indoor use in dry, domestic environments only, and for use within a temperature range of 10–40° C (50–105° F).
- Always place the loudspeaker in a horizontal position, and do not place any items on it.
- In order not to block the sound emitting from the rear bass reflex ports and the bass units on the bottom, leave a minimum of 6 cm (2½") free space behind and below the loudspeaker.
- *Prolonged listening at high volume levels may cause hearing damage!*

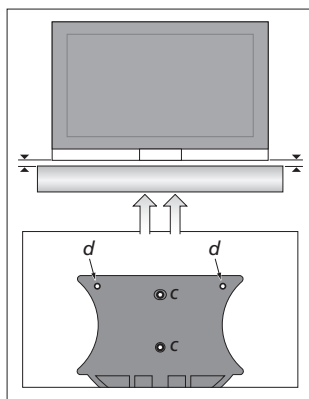
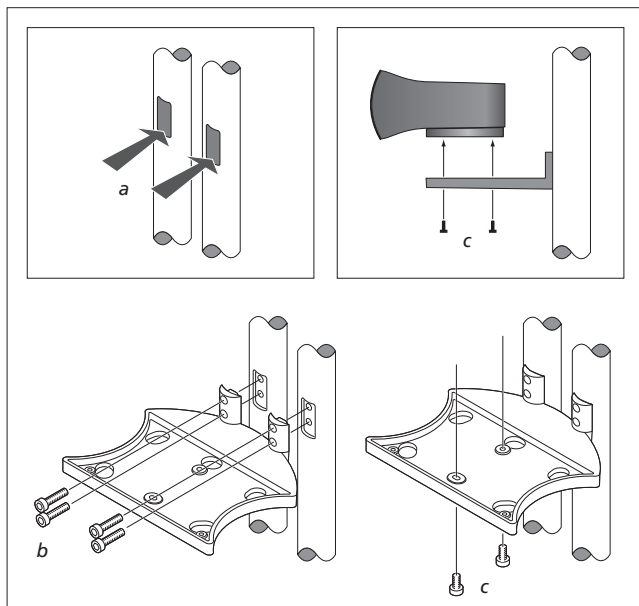


**Handling the loudspeaker:** *In order not to dent or scratch the loudspeaker front grill, we recommend that you lift the loudspeaker by holding on to the two bass units on the bottom. Do not support the loudspeaker holding the loudspeaker front grill!*

### To fasten the loudspeaker

Here is explained how to fasten the loudspeaker to a Bang & Olufsen stand.

- a** Remove the two small covers (if any) on the stand. Press each cover as shown, and they will come loose.
- b** Fasten the bracket to the stand. Use the four longest screws (M5 × 25 mm).
- c** Fasten the loudspeaker to the bracket. Use the two short screws (M5 × 8 mm). However, do not fully tighten the screws before you have made the adjustments mentioned below (**d**).



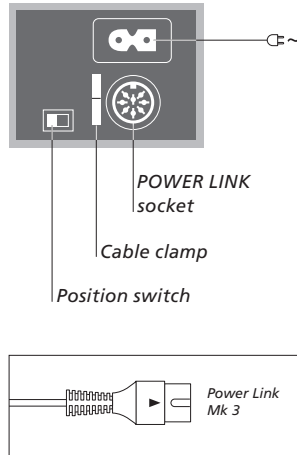
**Adjustments:** First, make sure that the television is adjusted to a level position on its stand! Then use the two screws (**d**) to adjust the loudspeaker so that it is parallel to the lower edge of the television. Align the loudspeaker front with the television and tighten the two screws (**c**).

## Cable connections

In this Guide is explained how to set up the loudspeaker in a setup with BeoVision 7. If used in a setup *not including* BeoVision 7, you will require a mains cord and a Power Link cable. These cables are available as optional accessories from your Bang & Olufsen retailer.

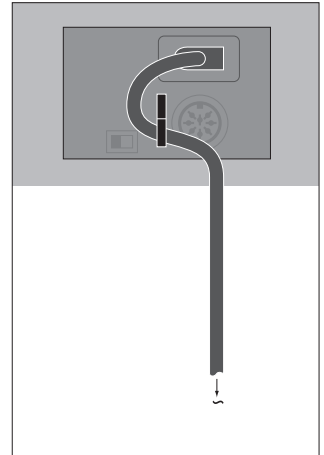
The socket panel is located on the rear of the loudspeaker. For information about the sockets on your Bang & Olufsen system, refer to the Guides enclosed with the system.

*Before you make any connections, disconnect your Bang & Olufsen system from the mains supply!*



**POWER LINK socket:** Use this socket to connect the loudspeaker to one of the Power Link sockets on the Bang & Olufsen system.

*Note: Do not use a Power Link cable of the older type, as this will cause noise, and therefore not give optimum sound quality! The new type has a triangular mark on the plug.*



**Cable clamp:** For safety reasons, the mains cord from the wall outlet must be secured to the loudspeaker. To do so, tug the cord behind the clamp.

**Mains cord:** The supplied mains cord and plug are specially designed for the product. If you change the plug or damage the mains cord, you must buy another from your Bang & Olufsen retailer!

### The position switch

When a loudspeaker is placed in a corner or close to a wall, the bass level is boosted compared to the bass level from a loudspeaker placed in a more free-standing position.

To remove this excessive bass boost, use the position switch to ensure that the bass level suits the placement of the loudspeaker. The appropriate switch setting depends on the distance from the loudspeaker to the walls and corners of the room.

*The switch has two settings:*

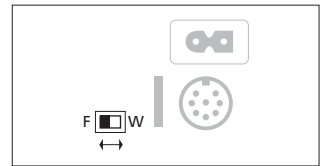
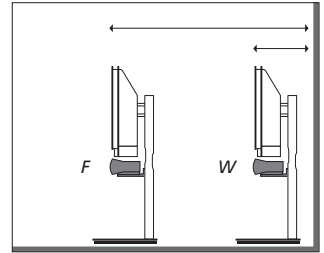
#### **F – Free-standing position**

Use this setting if the loudspeaker is placed so that the front grill is more than 50 cm (20") from the rear wall.

#### **W – Wall position**

Use this setting if the loudspeaker is placed so that the front grill is less than 50 cm (20") from the rear wall.

If the loudspeaker is fitted to a low stand – and you have chosen to place it on the floor – you should set the position switch to **W**.



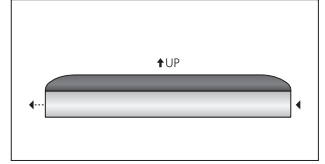
*The position switch is located on the loudspeaker socket panel.*

## For your information ...

### To get access to the approval labels, remove the loudspeaker front grill

Push the front grill towards the left (~ 10 mm). The front grill can now be removed.

*Note: When attaching the front grill again, make sure that all five 'attach-points' engage with the corresponding brackets on the loudspeaker. Do not attempt to mount the front grill upside down (marked on the rear by ↑UP).*



**Caution:** Handle the loudspeaker front grill with great care. Dents and scratches are not covered by the guarantee!

**CE** This product is in conformity with the provisions of the Directives 2004/108/EC and 2006/95/EC.

Technical specifications, features and the use thereof are subject to change without notice!

**Waste Electrical and Electronic Equipment (WEEE) – Environmental protection**



Electrical and electronic equipment, parts and batteries marked with this symbol must not be disposed of with normal household wastage; all electrical and electronic equipment, parts and batteries must be collected and disposed of separately.

When disposing of electrical and electronic equipment and batteries by use of the collection systems available in your country, you protect the environment, human health and contribute to the prudent and rational use of natural resources. Collecting electrical and

electronic equipment, batteries and waste prevents the potential contamination of nature with the hazardous substances which may be present in electrical and electronic products and equipment. Your Bang & Olufsen retailer will advise you of the correct way of disposal in your country.

*If a product is too small to be marked with the symbol, it will appear in the User Guide, on the Guarantee certificate, or on the packaging.*

All Bang & Olufsen products comply with applicable environmental legislation throughout the world

***For the US-market only!***

NOTE: This equipment has been tested and found to comply with the limits for a class B digital device, pursuant to part 15 of the FCC Rules. These limits are designed to provide reasonable protection against harmful interference in a residential installation.

This equipment generates, uses and can radiate radio frequency energy and, if not installed and used in accordance with the instructions, may cause harmful interference to radio communications. However, there is no guarantee that interference will not occur in a particular installation. If this equipment does cause harmful interference to radio or television reception, which can be determined by turning the equipment off and on, the user is encouraged to try to correct the interference by one or more of the following measures:

- Reorient or relocate the receiving antenna.
- Increase the separation between the equipment and receiver.
- Connect the equipment into an outlet on a circuit different from that to which the receiver is connected.
- Consult the retailer or an experienced radio/TV technician for help.

***For the Canadian market only!***

This class B digital apparatus meets all requirements of the Canadian Interference-Causing Equipment Regulations.



