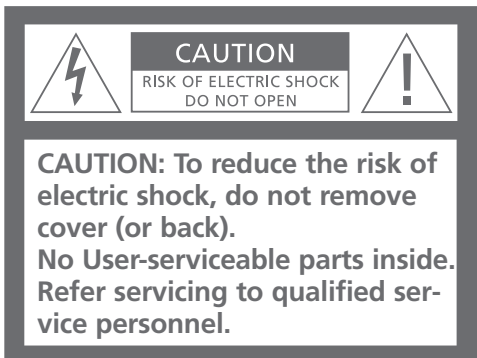


# Guide



**WARNING:** To prevent fire or electric shock, do not expose this appliance to rain or moisture. Do not expose this equipment to dripping or splashing and ensure that no objects filled with liquids, such as vases, are placed on the equipment.

To completely disconnect this equipment from the AC Mains, disconnect the power supply cord plug from the AC receptacle.



This symbol indicates that a dangerous voltage constituting a risk of electric shock is present within this unit.



This symbol indicates that there are important operating and maintenance instructions in the literature accompanying this unit.

#### For your safety

Do not mount BeoLink PC 2 with the cable connections turning downwards. Keep BeoLink PC 2 away from water and do not place items on top of it. The mains plug enables the separation (switch off) from the net voltage. The wall outlet has to be close to the device and must be easily accessible.

Avoid placing your BeoLink PC 2 in direct sunlight or direct artificial light (e.g. a spotlight). BeoLink PC 2 is developed for indoor use in dry, domestic environments only, and for use within a temperature range of 10–40° C (50–105° F).

Do not attempt to open BeoLink PC 2. Leave such operations to qualified service personnel.

CAUTION: To prevent electric shock do not use the polarized plug with an extension cord, receptacle or other outlet unless the blades can be fully inserted to prevent blade exposure.

#### Acknowledgement and liability

Product names mentioned in this Guide may be trademarks or registered trademarks of other companies.

Gracenote is CDDb, Inc. d/b/a "Gracenote" CD and music related data from Gracenote CDDb® Music Recognition ServiceSM® 2000, 2001 Gracenote. Gracenote CDDb Client Software® 2000, 2001 Gracenote. U.S. Patents Numbers #5,987,525; #6,061,680; #6,154,773, and other patents issued or pending.



CDDb is a registered trademark of Gracenote. CDDb-Enabled, the Gracenote logo, the CDDb Logo, and the "Powered by Gracenote CDDb" logo are trademarks of Gracenote. Music Recognition Service and MRS are service marks of Gracenote.



Portions based upon Microsoft Windows Media Technologies. Copyright© 2000 Microsoft Corporation. All rights reserved. Microsoft, Windows Media and the Windows Logo are registered trademarks of Microsoft Corporation in the United States and/or other countries.

MicroOS Operating System (U.S. Patent #5,787,445)

*Please note that Bang & Olufsen will, in no event, be liable for any consequential, incidental or indirect damages arising out of the use or inability to use the software.*

#### Note to installer

This reminder is provided to call your attention to Article 820-22 of the National Electrical Code (Section 54 of Canadian Electrical Code, Part 1) which provides guidelines for proper grounding and, in particular, specifies that the cable ground shall be connected to the grounding system of the building as close to the point of cable entry as practical.

This Guide provides you with a complete overview of installation, basic aspects about configuration, and the principles of daily use. We recommend that you follow the listed sequence in the chapter *Before you start...* on page 5.

In addition to this Guide, BeoLink® PC 2 contains an On-Screen Guide, accessible once you have installed BeoLink PC 2.

## **Before you start...**, 5

Follow this sequence of instructions to ensure flawless installation and fast access to BeoLink PC 2.

## **Setting up BeoLink PC 2**, 6–7

Find out how you can set up your BeoLink PC 2, what *Option* number setting is all about, and how to connect the cables.

## **Installing BeoLink PC 2**, 8–9

Choose between an installation with or without a TV tuner card. You can also find out how to repair or upgrade your BeoLink PC 2 installation.

## **Configure BeoLink PC 2**, 10–11

Find out how to make the configuration settings you need. This chapter shows you some basic settings, and explains registration of BeoLink PC 2.

## **Daily use**, 12

Starting out.

## **Before you can play N.MUSIC...**, 13

How to scan for music tracks already stored on your PC.

## **Index**, 14



To ensure a successful BeoLink PC 2 installation, follow the sequence of instructions on this page exactly.

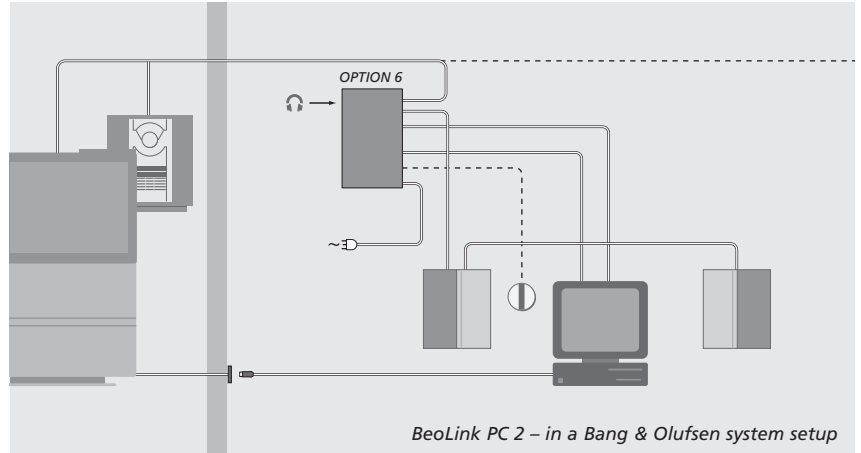
- 1 Make sure that your setup meets the System requirements
- 2 Setup your BeoLink PC 2 (p. 6)
- 3 Connect BeoLink PC 2 (p. 7)
- 4 Install BeoLink PC 2, including TV tuner card and driver (pp. 8–9)
- 5 Configure BeoLink PC 2 (p. 10)
- 6 Register (p. 11)

## Setting up BeoLink PC 2

BeoLink PC 2 can be set up in a variety of ways with other linkable Bang & Olufsen products. The example on this page shows one of many setup possibilities, as well as the connections you need to make for this setup.

*Note that the use of video sources has limitations in some countries. Contact your retailer for further information.*

Turn to the next page for details about connecting BeoLink PC 2. All connections except the *USB connection* must be made before you install the BeoLink PC 2 software.



### Option number setting

For a setup to function, the BeoLink PC 2 box and any link products included in the setup must “know” in what kind of environment they are placed. To ensure this, you simply select an *Option* number for each product in your setup. You select the *Option* number for BeoLink PC 2 in the Configuration menu, once you have finished the installation process. Refer to *Configuration* (p. 11).

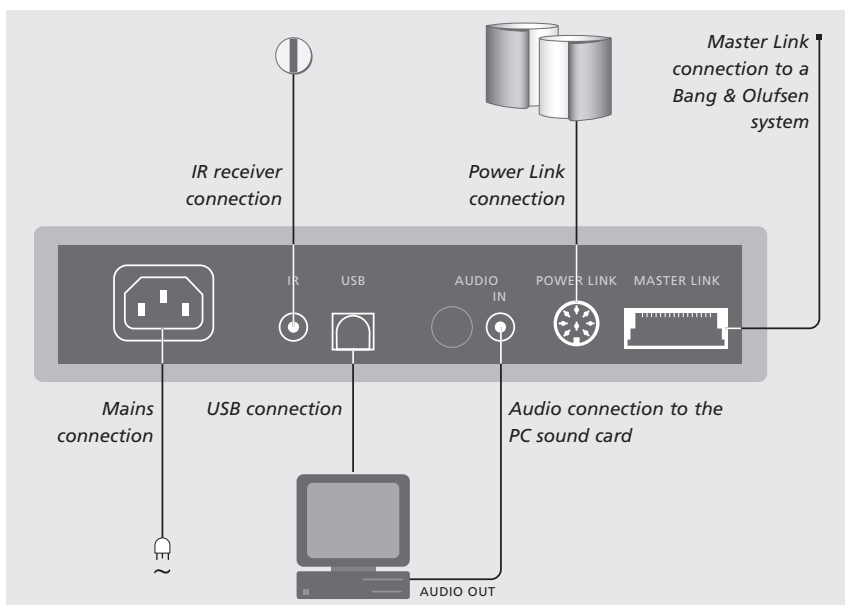
*Regarding ‘Option’ number setting of link products, refer to the documentation enclosed with these products.*

### BeoLink PC 2 – in a Bang & Olufsen system setup

The setup shown above is a typical example of a system setup. In this example the BeoLink PC 2 box must be set to *Option* number 6, which is the default setting. From your PC in one room, you can listen to either main room or link room sources. If you wish, the audio signals can be distributed to additional link rooms throughout the house and to the main room. *With a connected IR receiver, you can operate your system with a Beo4 remote control. To be able to remote control your sources via BeoLink PC 2, your PC must be turned on.*

### Additional Options for the BeoLink PC 2 box

In addition to *Option* number 6, it is possible to select *Option* numbers 0, 2 and 4. *Option* number 0 is for a setup where you want to disable an IR receiver. *Option* 2 is for a setup where you want to use your PC as a main room product. *Option* 4 is for a setup with link room products placed in the same room as the main system. The use for these Options is limited, but your retailer can be contacted for further information about *Option* number selection.



The BeoLink PC 2 box should be fastened to the wall or the back of your PC desk/furniture.

#### Master Link connection

A Master Link connection enables you to distribute signals between your PC and Bang & Olufsen products throughout your home.

#### Power Link connection

The Power Link socket is used for connecting Power Link speakers to your BeoLink PC 2 setup.

#### Audio connection

The audio connection between the BeoLink PC 2 box and the PC sound card allows for the transmission of analogue sound from the PC to your connected products.

#### USB connection

Connect the BeoLink PC 2 box to the PC with the enclosed USB cable.

**IMPORTANT!** It is crucial that you do not make the USB connection until you are specifically prompted to do so on the screen. You do not have to turn off the PC to connect this cable.

#### IR receiver connection

The IR socket is used for connecting an optional IR receiver to your PC. This enables you to operate your different sources directly with a Beo4 remote control.

#### Mains connection

Connect attached products, speakers, your PC and the BeoLink PC 2 box to the mains. For safety reasons, always connect the BeoLink PC 2 box (and all your PC equipment) to a grounded wall outlet.

## Install BeoLink PC 2

Once you have inserted the BeoLink PC 2 CD-rom into your CD-rom drive, the BeoLink PC 2 installation menu appears on the screen.

Select *Install BeoLink PC 2* to initiate the installation process. During this process you will be asked to decide whether you want to make an installation *with* a TV tuner card, or an installation *without* a TV tuner card.

Choose the latter, if you either have a compatible, already working, TV tuner card installed, or if you don't want to be able to watch TV on your PC screen. You can always install a TV tuner card at a later time.

The installation menu also contains information about system requirements and compatible TV tuner cards.

### The Installation process

- > Select *BeoLink PC 2 installation* from the menu.
- > Follow the instructions on the screen carefully.
- > When prompted to install the TV tuner card, mount the card according to the instructions supplied with the card.
- > Connect the tuner card with the sound card using the audio cable supplied with the tuner card.

At the end of the BeoLink PC 2 installation process you will be prompted to connect the USB cable from the BeoLink PC 2 box to the PC's USB connector.

- > **Make the USB connection when prompted, not before!**

When you have installed the software, the BeoLink PC Configuration program starts automatically.

◀ *It may be necessary to remove an already mounted graphics card, in which case the TV tuner card will function as both TV tuner and graphics card.*

◀ *This will initiate the installation of the USB driver for BeoLink PC 2.*

◀ *If you have a previous installation of BeoPlayer or BeoLink PC Office, this software will automatically be removed to avoid conflicts.*

NOTE! In case the installation menu does not appear automatically when the CD-rom is inserted, select *Run* from the start menu and write *X:\vinstall\Guide.exe* in the command line, substituting the *X* with the driveletter of your CD-rom drive.



## To repair or upgrade your BeoLink PC 2 installation

Should elements of your BeoLink PC 2 be missing, if e.g. files have been deleted, you can use the installation program to repair or upgrade your installation.

- > Select *Run* from the start menu and write *X:\installguide.exe* in the command line, substituting the *X* with the drive letter of your CD-rom drive.
- > In the Installation menu, select *Repair/upgrade your installation*.  
*If the program registers that you already have BeoLink PC 2 installed on your PC, you will enter the BeoLink PC 2 Maintenance program.*
- > Select whether you want to repair or upgrade or remove your current installation.
- > Click **Next** to continue.
- > Follow the instructions on the screen to complete the chosen task.

## Configuration of BeoLink PC 2

Make your settings and adjustments for BeoLink PC 2 in the *Configuration menu*\*.

This chapter tells you what to do, to be able to watch PC TV, including how to make the correct *Option* number setting.

In addition, the *Configuration menu* contains a variety of choices which, depending on your specific setup, may be necessary to consider. Therefore, we urge you to click through the 'Configuration menu' and refer to the instructions in the *On-Screen Guide* for additional information.

Once you have initially configured BeoLink PC 2, you are prompted to register, as described on the opposite page.

### Auto-tuning

Before you auto-tune TV channels for your TV tuner card, make sure that the correct broadcast system is displayed under 'Video System', that you have indicated whether your connection is via cable or antenna, and that the correct country is displayed.

*Remember that to receive a transmission, antenna or cable must be connected directly to your PC.*

*From the 'BeoLink PC Configuration' menu...*

- > Click the **Tune** tab to be able to tune and make presets.
- > Click **AutoTune** to start auto-tuning TV channels.

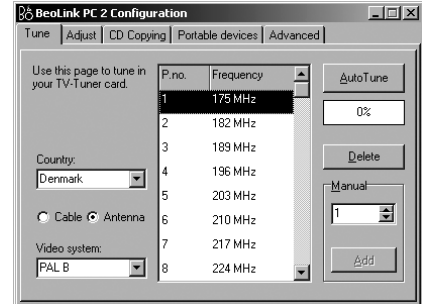
*During the tuning sequence, the located channels are shown in the display. At any time, you can stop the tuning and the channels already found will be stored.*

### Manual tuning

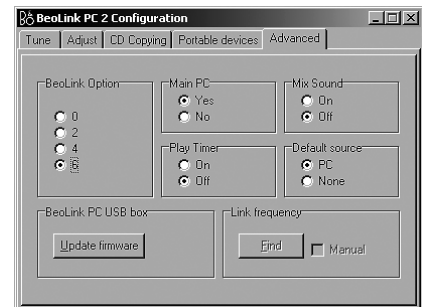
If you want to tune in a channel manually, perhaps because it was not found during auto-tuning, go to the section *Manual* in the *Tune* menu.

- > In the section *Manual*, use the small arrows to click through the channels.
- > When you have found the channel you want to add, click **Add**.

*On the TV tuner cards, the TV channels you tune in are registered as program numbers and channels. Please note that not all TV tuner cards observe standard channel numbers for TV channels.*



The 'Tune' tab in the Configuration menu.



The 'Advanced' tab in the Configuration menu.

\*NOTE! The *BeoLink PC Configuration menu* appears automatically when you install BeoLink PC 2. To access this menu at a later date, select CONFIG under SETUP on the control bar. To access the *On-Screen Guide*, select GUIDE in the control bar.

## Option setting

It is important that BeoLink PC 2 is set to the correct *Option*, corresponding with your setup.

### *To make an Option number setting...*

- > Select **CONFIG** to access the menu.
- > Select the Advanced tab to call up Option settings.
- > Select the appropriate Option number from the list; **0, 2, 4** or **6**.

*For further information about Option setting, refer to page 6.*

## Registration of BeoLink PC 2

Once you have initially configured BeoLink PC 2, you are prompted to register, if you have access to the Internet at that time. Although you can use BeoLink PC 2 without it, registration is necessary in order to receive the service provided by CDDB\*. Naturally, Bang & Olufsen handles the information provided during registration with utmost confidentiality.

### *If you have not registered...*

A registration form automatically appears on screen.

- > Click **New User** and fill out the form.

### *If you have already registered...*

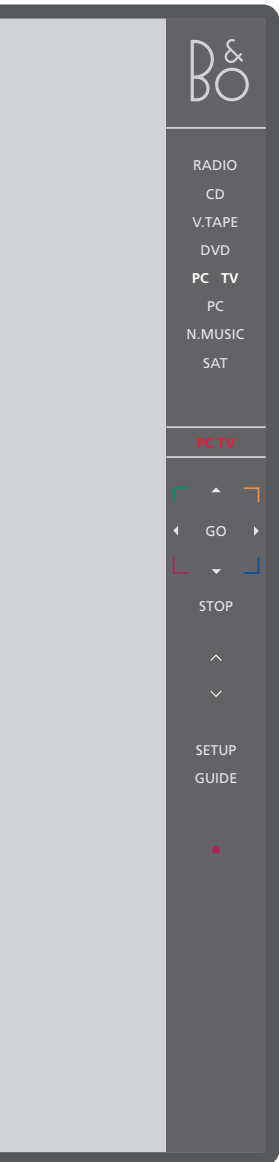
- > Enter your User Name and E-mail address.

*In order to receive CDDB information, your PC must be connected to the Internet and be on-line. If you have no Internet access, you are not prompted to register, but if you obtain Internet access at a later date, you will be prompted to register.*

*\*CDDB is a storage and distribution service for music information. CDDB is a service of Grace-Note, Int. The information you can receive from the CDDB database, is the 'tag' information, which often accompanies your N.MUSIC tracks, such as artist name and album title. Be aware that the service will only function properly if your internet connection is open while you use BeoLink PC 2.*

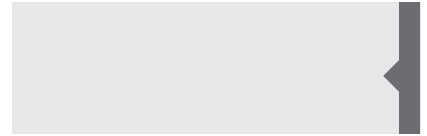
# Daily use

Once BeoLink PC 2 is installed, call up the control bar – your navigator for all BeoLink PC 2 functions.



## Starting out

Click on the B&O icon short-cut in your System tray to start up BeoLink PC 2. Move your mouse cursor to the far right and click the triangular tab (shown to the right) to call up the control bar.



### < PC TV >

Click to switch on a source such as PC TV. If < > appears around a source – as shown to the left, then click on < or > to reveal additional sources.

### PC TV

Status display – indicates the current source and channel, station or track number.



Click ▲ or ▼ to step up or down through for example TV channels, CD tracks etc. Click ◀ or ▶ to wind backwards or forwards on a CD or a tape, or to step from CD to CD.



The coloured buttons operate functions specific to the chosen source.

### GO

Click to resume playback of a paused source.

### STOP

Click to pause playback of a source.



### < MUTE >



Click to adjust volume up or down – click MUTE between ^ and v to mute the sound, and click a volume button to restore the sound. Click < or > to reveal MUTE HP and click this button to mute your headphones.

### SETUP

Click to view individual options depending on the chosen source.

### GUIDE

Click to access the On-Screen Guide.



Switch to standby – click and hold • for 2 seconds to switch off all sources. Click • twice to close the BeoLink PC 2 control bar and application.



## Short-cuts

The B&O icon is inserted automatically in the System tray, once the BeoLink PC 2 application is installed.

*If you close the application, then start BeoLink PC 2 from the BeoLink PC 2 directory in your Start menu, or use the B&O icon short-cut in your System tray.*

NOTE! The control bar changes appearance when you switch sources, making the appropriate options available for the active source. For further information, refer to the On-Screen Guide.

N.MUSIC is the Bang & Olufsen term for music stored on a PC, music obtained, for example, from the Internet or from audio CD's.

This chapter describes what you need to do, before you can play N.MUSIC.

Once you have performed a scan as shown on this page, simply refer to 'Daily use' for further information, as well as to the On-screen Guide for in-depth instructions.

### Scan your PC for tracks

When you select the source N.MUSIC for the first time, you are prompted to search your computer for playable tracks\*. A scan must be performed the first time you want to play N.MUSIC, as well as the first time a particular drive is used for track storage.

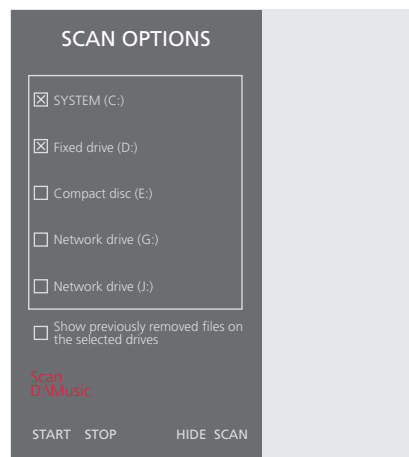
*The SCAN OPTIONS menu appears on the screen...*

- > Move the cursor to the input box by a relevant drive.
- > Click once to set a check mark by the drive, and twice to remove a check mark.
- > Click **START** to begin a scan. Progress is shown in red below the drive selection box.
- > Click **STOP** to cancel a scan in progress.
- > Click **HIDE SCAN** to conceal the SCAN OPTIONS menu. Scans in progress will continue until they are complete.

*When scanning is complete...*

- > Click **N.MUSIC** on the control bar to begin playback of the first track.

*If your existing tracks contain 'tagging' information, such as artist names, track and album names, or genres, this information is stored during a scan.*



*To access previously removed tracks...*

Tracks which have been removed from your playlists are not automatically removed from your PC. By setting a check mark by the option Show previously removed tracks on the selected drives, you gain access to these tracks and you can re-select them for your playlists.

\*NOTE: Once you have accessed N.MUSIC for the first time, a hidden update of your available music on the drives you initially stored on will be made every time you access N.MUSIC. Therefore, it is only necessary for you to scan your hard drive again, if you choose to store music on another drive.

# Index

## Beo4 remote control

IR receiver in a system setup, 6

## CDDB

CDDB information and registration, 11

## Configuration

Auto-tuning the TV tuner card, 10  
 Calling up the Configuration menu, 10  
 Manual tuning of the TV tuner card, 10  
 Option setting, 6 and 11

## Connections

Master Link, Power Link, Audio, USB, IR receiver, and Mains connection, 7

## Control bar

Daily use, 12  
 Locate the Configuration menu, 10

## Driver

Driver installation, 8

## Install

Driver installation, 8  
 Installation, 8  
 Repair or upgrade installation, 9  
 TV tuner card installation, 8

## N.MUSIC

What is N.MUSIC?, 13  
 Scan your PC for tracks, 13

## On-Screen Guide

Call up the Guide on the control bar, 12

## Option

What is Option setting?, 6

## Registration

Register your BeoLink PC 2, 11

## Scan

Scan your PC for tracks, 13

## Setup

BeoLink PC 2 in a Bang & Olufsen system setup, 6  
 Option settings, 6  
 Placing the BeoLink PC 2 box, 7  
 Setup button on the control bar, 12

## Sound adjustment

Mute, 12  
 Mute Headphones, 12

## TV tuner card

Configuration of TV tuner card, 10  
 Tuner card requirements, 5

## USB

USB connection, 7  
 When to make the USB connection, 8



*This product fulfils the conditions stated in the EEU directives 89/336 and 73/23.*

NOTE: This equipment has been tested and found to comply with the limits for a class B digital device, pursuant to part 15 of the FCC Rules. These limits are designed to provide reasonable protection against harmful interference in a residential installation.

This equipment generates, uses and can radiate radio frequency energy and, if not installed and used in accordance with the instructions, may cause harmful interference to radio communications. However, there is no guarantee that interference will not occur in a particular installation. If this equipment does cause harmful interference to radio or television reception, which can be determined by turning the equipment off and on, the user is encouraged to try to correct the interference by one or more of the following measures:

- Reorient or relocate the receiving antenna
- Increase the separation between the equipment and receiver
- Connect the equipment into an outlet on a circuit different from that to which the receiver is connected
- Consult the retailer or an experienced radio/TV technician for help

This class B digital apparatus meets all requirements of the Canadian Interference-Causing Equipment Regulations.

Technical specifications, features and the use thereof are subject to change without notice!

