

### Contents

- 3 *Central and local systems*
- 4 *Installation tips*
- 5 *Installing the transceiver*
- 8 *Mounting the relay box*
- 9 *Mounting the cables*
- 10 *Mains adaptor*
- 11 *Connecting the speakers*
- 12 *Local sources*
- 12 *Preprogramming the system*

The central system is your audio and video systems, i.e. a Beomaster or Beocenter and a Beovision TV, or an audio system alone, complete with their various sources.

The local system comprises a set of active Beolab speakers as well as the parts which make up the “X-tra active speakers” kit, i.e. a transceiver, an MCL 2 AV relay box and a mains adaptor.

Instead of a set of active Beolab speakers you can use an MCL 2 P stereo amplifier and a set of passive Beovox speakers together with the MCL 2 AV relay box.

The local system is connected to the central audio system by means of a special MCL cable which has to be purchased separately. You can buy whatever length of cable you need.

***Note: Switch off the power for the whole system while you mount cables.***

*The user's guide which is also supplied with this kit describes how you can use your local system once it has been installed.*

## Installation tips

- *If the transceiver is placed next to a door, you can easily switch the system on and off on the transceiver itself when you enter or leave the room.*
- *When you have completed your installation it is a good idea to draw up a sketch of the entire MCL system. You might need it if you wish to extend or modify the system later.*
- *Do not place the transceiver in direct sunlight or direct artificial light, e.g. a spotlight, or near objects generating electrical noise, e.g. dimmers, as this may reduce the sensitivity of the transceiver.*
- *The cable length between the transceiver and the relay box must not exceed 10 m (30'). The cable supplied with the transceiver is 5 m (15').*
- *If you are installing several relay boxes in your house it may be a good idea to first run an MCL cable from the audio system to a connection box and then run the other MCL cables in strings from the connection box to each relay box.*

## Installing the transceiver

The transceiver can be mounted in different ways:

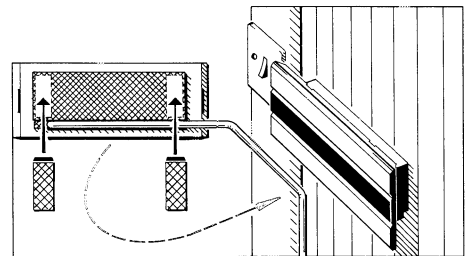
- *Direct mounting on a wall or another surface with tape.*
- *Fastened to a wall with screws.*
- *Flush-mounted in a thin partition wall of wood or plasterboard, for example.*

Run the cable out through the hole in the rear plate before mounting the transceiver. The cable may also be taken out to the left by running it in the groove provided in the rear plate. Each transceiver is supplied complete with the accessories for mounting it.

*Place the transceiver so that nothing prevents it from receiving the signals from the Beolink remote control terminal.*

### Using tape

Stick the two pieces of double-sided tape onto the back of the rear plate. Fix the cover to the rear plate and fasten the whole unit to the wall in the desired place.



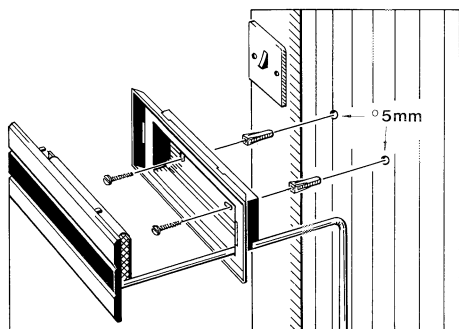
*Note: Building and electrical codes vary from locality to locality. Make sure that the installation is in compliance with applicable codes. Bang & Olufsen shall not be legally responsible for injury or damage caused by improper installation.*

## Using screws

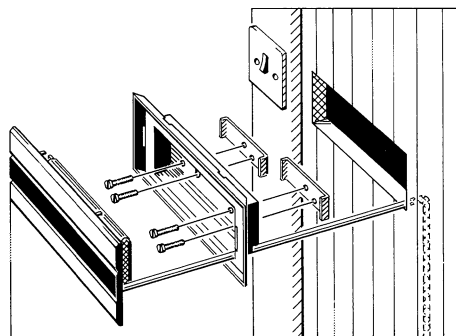
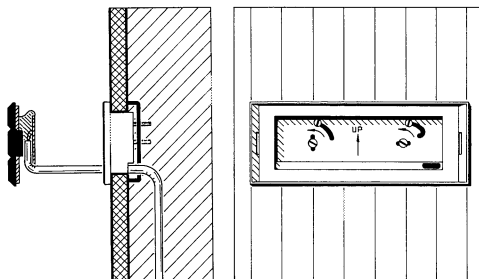
Accessories:

- 2 screws, 2.9 x 16 mm
- 2 Rawlplugs

Fasten the rear plate of the transceiver to the wall using the two screws. Use the Rawlplugs if necessary. Then fix the cover to the rear plate.



Mount the two clamps without tightening the screws. Fit the rear plate into the hole and turn the clamps into vertical position, using the two upper screws. Tighten all four screws.

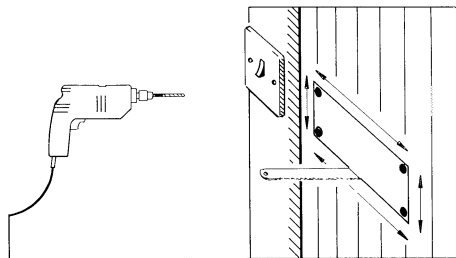


## Flush-mounted in wall

Accessories:

- 2 clamps
- 2 screws, AM 2.5 x 16 mm
- 2 screws, AM 3 x 16 mm

Mark off the outline of the projecting part of the rear plate. Drill a hole inside each corner of the marking. Saw out the rectangle without making the hole too big (115 x 38 mm/4½ x 1½”).



## Mounting the relay box

The MCL 2 AV relay box should be placed in an unobtrusive spot, for example by a skirting board.

Accessories:

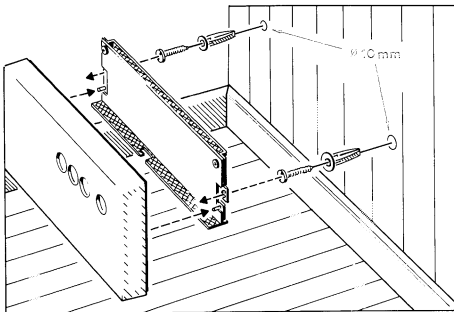
- 2 screws, 3.5 x 25 mm
- 2 screws, 3 x 8 mm
- 2 Rawlplugs

*Note: The small screws (3 x 8 mm) should be used only in connection with a flat MCL cable.*

If the relay box is placed close to a skirting board, be sure to allow space for cables and plugs to point downwards. You may also wish to allow space for connecting a tape recorder or a record player to the sockets on the front of the relay box.

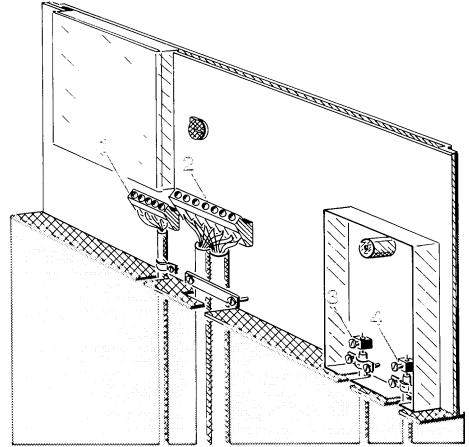
Mount the relay box by means of the two screws. Use the Rawlplugs if necessary.

Do not fix the cover to the rear plate until you have finished mounting the cables.



## Mounting the cables

The two types of cable, the MCL cable and the transceiver cable, must be mounted in two terminal strips in the relay box.

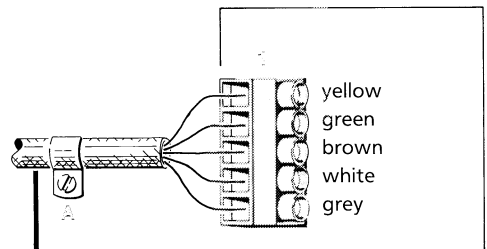


*Note: Cables must be handled with care. Avoid sharp bends, don't twist the cables, and don't subject them to pressure or impact.*

*Use a knife or cutting pliers to cut and strip them. Never use more cable than absolutely necessary.*

### Transceiver cable

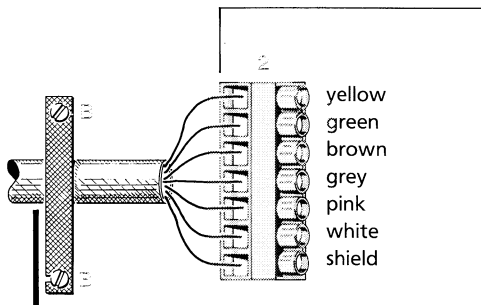
Strip the cable and connect the leads to terminal strip 1 in the order indicated. Fasten the cable by tightening the screw in the clamp A.



## MCL cable

The two plugs mounted on the MCL cable must be connected to the SPEAKERS 2 sockets on the Beomaster or Beocenter in the central audio system. Mount the stripped end of the cable in the MCL relay box, terminal strip 2, in the order indicated.

Fasten the cable by tightening the screws in the bracket B.



*If a cable is to be run to yet another room, the leads in this cable must also be connected to the terminal strip 2, i.e. two leads of the same colour will be connected to the same terminal.*

*The MCL cable is available in any length you may require from your Bang & Olufsen dealer.*

## Mains adaptor

Plug the lead from the mains adaptor into the socket marked DC 15 V on the relay box. Do not connect the mains plug to the mains until the speakers have been connected to the relay box.

## Connecting the speakers

Connect the two active Beolab loudspeakers to the two Power Link sockets in the MCL 2 AV relay box.

The sockets are identical for the left and right channels (L and R), and the appropriate channel is selected by means of a switch on the Beolab speaker itself.

A set of Power Link cables of 5 m each is supplied together with the Beolab speakers.

## MCL 2 P stereo amplifier

If you are using an MCL 2 P amplifier and two passive Beovox speakers instead of the active Beolab speakers, the MCL 2 P has to be connected to one of the Power Link sockets in the MCL 2 AV relay box.

When using the MCL 2 P, the mains adaptor for the MCL 2 AV is not required.

The MCL 2 P may be placed standing on its feet or mounted on a wall by means of the following included accessories:

- 2 screws, 3.5 x 38 mm
- 2 wall anchors
- Tool for unfolding wall anchors in thin partition walls

## Local audio sources

Local audio sources may be connected to the sockets on the socket panel of the MCL 2 AV relay box:

**TAPE:** Socket for a Beocord audio tape recorder.

**CD:** Socket for a Beogram CD or a Beogram LP record player with a built-in RIAA preamplifier.

*The sockets marked AUX and TV are used in a system that includes X-tra TV.*

## Preprogramming

The local system can be preprogrammed as described below.

Before you start using the system, make sure that it is programmed for **active speakers** and for **Option 2**.

If you have a local system in several different rooms in your house, and if you have a Bang & Olufsen light control system in these rooms, the local system in each room furthermore has to be programmed for light control.

## Active speakers

- *Bring the whole system into stand-by mode (press SHIFT, ●). Hold the TIMER button on the transceiver and press AV on the Beolink remote control terminal.*

## Option 2

- *Bring the whole system into stand-by mode (press SHIFT, ●). Press LINK, 2 and STORE.*

## Option 1

- *Bring the whole system into stand-by mode (press SHIFT, ●). Press LINK, 1 and STORE.*

*This programming option is used only if the transceiver is incorporated in a system comprising active speakers as well as a Beolink-compatible TV in the same room.*

## Light control

- *Bring the whole system into stand-by mode (press SHIFT, ●). Hold the TIMER button on the transceiver and press any digit from 1 to 4 on the Beolink remote control terminal.*

*Program the other transceivers in the system in the same way, only select a different digit, e.g. 1 in the first local system, 2 in the second, 3 in the third and 4 in the fourth. Start with 1 again if you have a fifth system, then 2 in the sixth, etc.*

*The transceiver is programmed with the digit 0 when supplied from the factory.*

